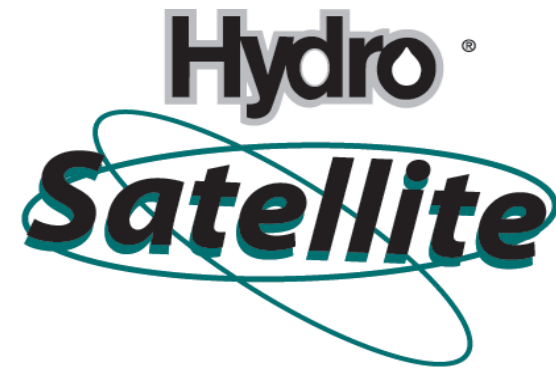


TROUBLESHOOTING CHART:

Problem	Cause	Solution
1. No discharge	a. No water b. Ball valve not open c. Eductor clogged	a. Open water supply b. Open ball valve c. Clean or replace
2. No concentrate draw	a. Clogged foot strainer b. Metering tip or eductor has scale build-up c. Low water pressure d. Discharge tube and/or flooding ring not in place (high flow only) e. Air leak in chemical pick-up tube f. Clear plastic tip installed in inlet pick-up stem	a. Clean or replace b. Clean (descale)* or replace c. Minimum 25 PSI (with water running) required to operate unit properly d. Push tube firmly onto eductor discharge hose barb, or replace tube if it doesn't have a flooding ring e. Put clamp on tube or replace tube if brittle f. Replace with colored metering tip
3. Excess concentrate draw	a. Metering tip not in place	a. Press correct tip firmly into barb on pick-up stem
4. Failure of unit to turn off	a. Faulty ball valve	a. Clean* or replace ball valve
5. Excess foaming in discharge	a. Air leak in chemical pick-up tube	a. Put clamp on tube or replace tube if brittle



MODEL 5843 & 5844

- Package Should Contain:
1. Satellite dispenser
 2. Product inlet tubing, 1/4" x 8"
 3. Ceramic weight.
 4. Footvalve
 5. Metering tip kit
 6. Instruction sheet.

THANK YOU FOR YOUR INTEREST IN OUR PRODUCTS

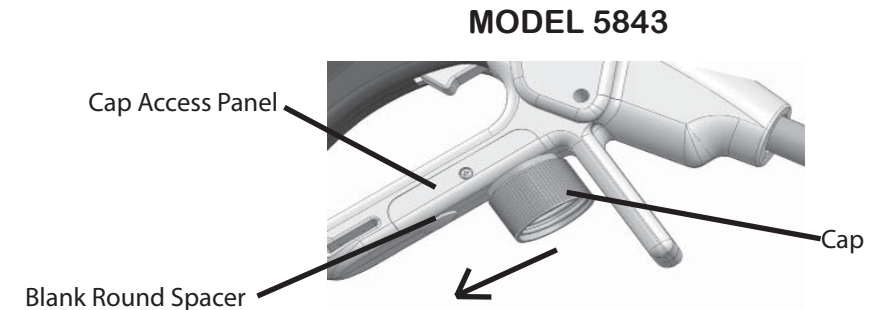
Please use this equipment carefully and observe all warnings and cautions.

*****NOTE*****

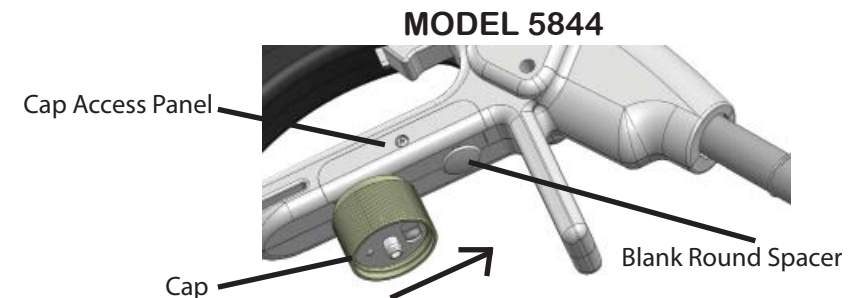
WEAR	protective clothing and eyewear when dispensing chemicals or other materials or when working in the vicinity of all chemicals, filling or emptying equipment, or changing metering tips.
ALWAYS	observe safety and handling instructions of the chemical manufacturer. direct discharge away from you or other persons or into approved containers. dispense cleaners and chemicals in accordance with manufacturer's instructions. Exercise CAUTION when maintaining your equipment. reassemble equipment according to instruction procedures. Be sure all components are firmly screwed or latched into position. equipment clean to maintain proper operation.
KEEP	

Installation and Operation:

1. Remove dispensing unit from box.
2. The model 5843 dispensing unit is to be used with an F-style bottle. If you are using a round gallon bottle remove the screw from the cap access panel on the side of the dispenser. Firmly grasp cap and access panel with hand and pull toward you. Retain blank round spacer. Move cap to the position farthest away from the discharge tube. Reinstall blank round spacer in position closest to discharge tube. Snap cap access panel into place and secure with fastening screw. See diagram below for detail.
NOTE! CHANGING THE CAP POSITION FOR BOTTLE TYPE IS A ONE TIME ONLY CONVERSION.



The model 5844 dispensing unit is to be used with a round gallon bottle. If you are using an F-style bottle remove the screw from the cap access panel on the side of the dispenser. Firmly grasp cap and access panel with hand and pull toward you. Retain blank round spacer. Remove tube from cap assembly and trim approximately 1 1/4". Reinstall tube on barb of cap and reinstall cap assembly in the position closest to the discharge tube. Reinstall blank round spacer in position closest to water inlet swivel. Snap cap access panel into place and secure with fastening screw. See diagram below for detail.
NOTE! CHANGING THE CAP POSITION FOR BOTTLE TYPE IS A ONE TIME ONLY CONVERSION.



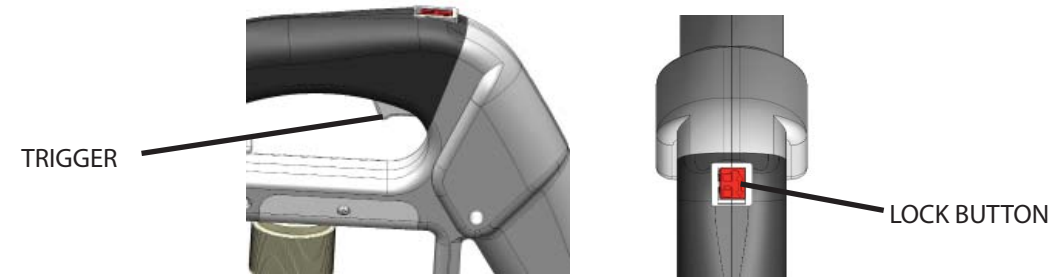
A DOVER COMPANY

Hydro Systems 3798 Round Bottom Road, Cincinnati, OH 45244 s Phone: (513) 271-8800 s Fax: (513) 271-0160

10092187
3/09

CONTINUED ON NEXT PAGE....

3. Select metering tip using guide on next page. Install metering tip into barb in center of cap.
4. Cut product inlet tube to desired length for selected bottle, slide weight over end of tube, insert footvalve into end of tube. NOTE: REMEMBER TO CHECK FOOT VALVE STRAINERS PERIODICALLY FOR CLOGGING: CLEAN IF NECESSARY.
5. Insert product inlet assembly into bottle and secure dispensing unit to bottle. Use velcro strap to further secure bottle handle to dispensing unit.
6. Connect water supply hose of at least 3/8" ID to water inlet swivel. (Minimum 25 PSI pressure, with water running, is required for proper operation.)
7. Depress trigger to begin dispensing desired concentrate solution; release trigger to stop flow of solution. To lock trigger in "ON" position depress and hold trigger while sliding red lock button back then release trigger. To release lock push red lock button down and slightly forward to stop flow of solution.



8. To disconnect, turn off water source. Make sure on/off valve is in OFF position. Disconnect water supply hose from unit.

Metering Tip Selection:

The final concentration of the dispensed solution is related to both the size of the metering tip opening and the viscosity of the liquid being siphoned. For water-thin products, the chart at right can be used as a guideline. If product is noticeably thicker than water, consult the Measurement of Concentration Procedure below to achieve your desired water-to-product ratio. Because dilution can vary with water temperature and pressure, actual dilution achieved can only be ascertained by using the Measurement of Concentration Procedure. The clear, undrilled tip is provided to permit drilling to size not listed should you need a dilution ratio that falls between standard tip sizes.

NOTE: Refer to parts diagram if unfamiliar with names of system components.

Measurement of Concentration:

You can determine the dispensed water-to-product ratio for any metering tip size and product viscosity. All that is required is to operate the primed dispenser for a minute or so and note two things: the amount of dispensed solution, and the amount of concentrate used in preparation of the solution dispensed. The water-to-product ratio is then calculated as follows:

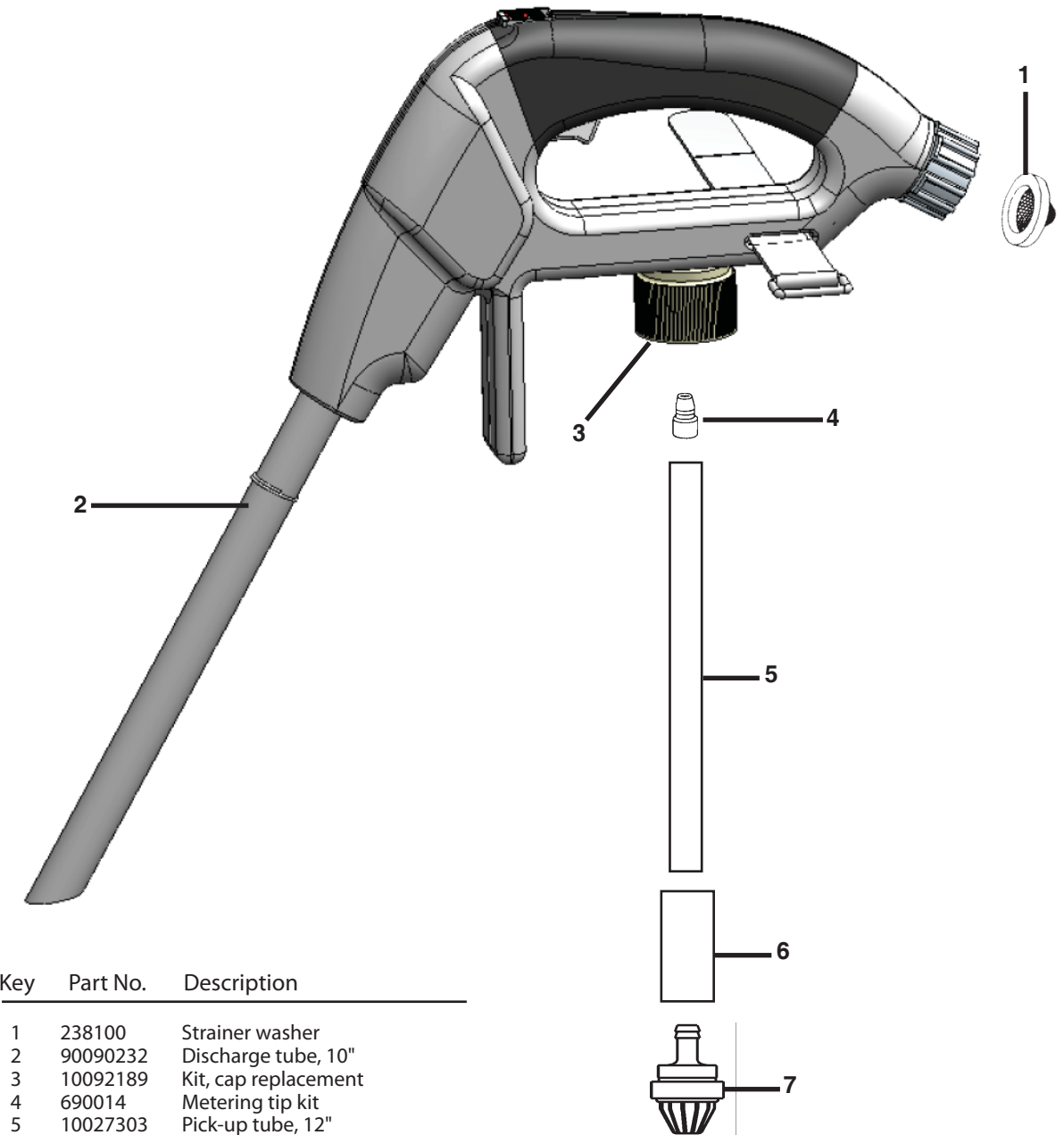
$$\text{Dilution Ratio (X:1) where X} = \frac{\text{Amount of Mixed Solution}}{\text{Amount of Concentrate Drawn}}$$

Amount of Concentrate Drawn

Dilution Ratio, then, equals X parts water to one part concentrate (X:1). If the test does not yield the desired ratio, choose a different tip and repeat the test. Alternative methods to this test are 1) pH (using litmus paper), and 2) titration. Contact your concentrate supplier for further information on these alternative methods and the materials required to perform them.

APPROXIMATE DILUTIONS AT 40 PSI FOR WATER-THIN PRODUCTS (1.0 CP)			
Tip Color	Orifice Size	Std. Drill Number	Ratio (per Eductor Flow) 3.5 GPM
No Tip	.187	(3/16)	10:1
Grey	.128	(30)	10.5:1
Black	.098	(40)	11:1
Beige	.070	(50)	12:1
Red	.052	(55)	16:1
White	.043	(57)	24:1
Blue	.040	(60)	32:1
Tan	.035	(65)	34:1
Green	.028	(70)	53:1
Orange	.025	(72)	64:1
Brown	.023	(74)	74:1
Yellow	.020	(76)	100:1
Aqua	.018	(77)	128:1
Purple	.014	(79)	200:1
Pink	.010	(87)	400:1

Parts Diagram List:



Key	Part No.	Description
1	238100	Strainer washer
2	90090232	Discharge tube, 10"
3	10092189	Kit, cap replacement
4	690014	Metering tip kit
5	10027303	Pick-up tube, 12"
6	509900	Ceramic weight
7	10089410	Footvalve, Viton (model 5801) * EPDM also available order 10076302