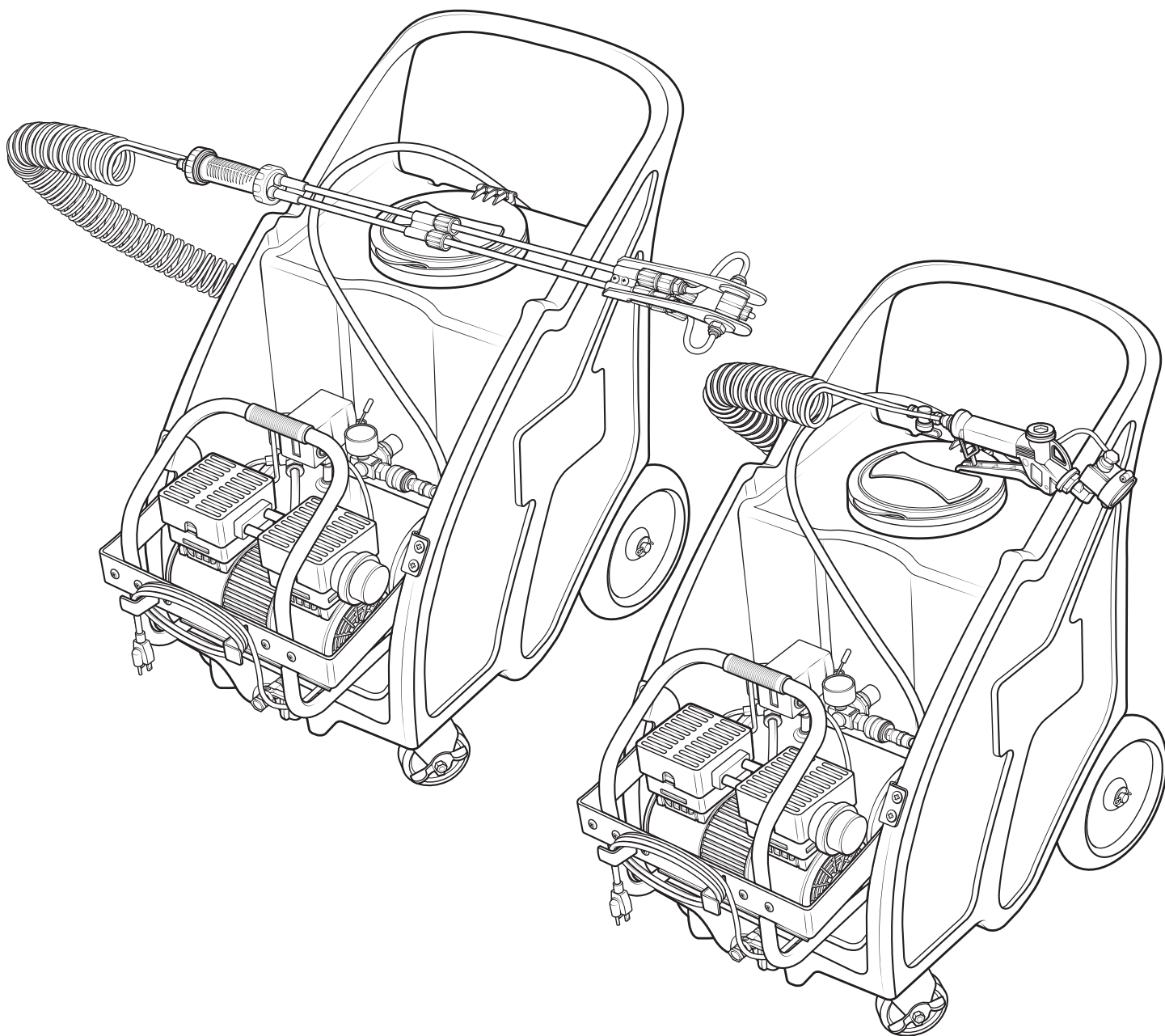


15 Gallon Electric Fog/Mist Unit

User Manual

MU-AC-15N

MU-AC-15N-PSGN130



READ ALL INSTRUCTIONS BEFORE USING, OR SERVICING, THIS EQUIPMENT. KEEP THIS MANUAL IN A LOCATION THAT IS READILY AVAILABLE TO USERS AND SERVICE TECHNICIANS.

English (Original Instructions)

Contents

- 1 Safety..... 3**

- 2 Product Overview..... 5**
 - Product Requirements..... 5
 - Product Specifications..... 5
 - Product Components 6

- 3 Assembly..... 8**

- 4 Operation 9**

- 5 Troubleshooting 11**

- 6 Parts 13**

1 Safety

WARNING

PEOPLE OR OBJECTS CAN BE HURT OR DAMAGED IF THIS UNIT IS NOT USED CORRECTLY!



Failure to read all the instructions before operating the unit may result in personal injury or death from the improper use of the chemical solution. Anyone handling, operating or using the unit must read, and understand, the instructions in the manual. The buyer assumes all responsibility for safety and proper use in accordance with the instructions.



Using, or servicing, the unit without proper protective clothing, gloves, and eye wear may result in serious injury such as burns, rashes, eye, throat or lung damage and death. Always wear protective clothing, gloves, and eye wear when using, or servicing, the unit. Protect eyes, skin, and lungs against drifting spray.



Chemical solutions may pose a health risk and death if they contact the skin or eyes, are inhaled or swallowed. Always read, and follow, all chemical safety precautions and handling instructions provided by the chemical manufacturer and the Safety Data Sheet (SDS) associated with the chemical solution being used before using the unit.



Pressure within the equipment may cause an unexpected release of the chemical solution and cause serious injury such as burns, rashes, eye damage, throat or lung damage and death. Always depressurize and clean the unit after each use. Never leave the unit unattended while pressurized.

Using the unit with fluid temperatures above 100°F (37.77°C) may result in scalding, burns, serious injury or death. DO NOT use a solution with a temperature above 100°F (37.77°C).

Operating the unit when damaged or leaking may result in exposure to chemical solutions, serious injury or death. Never use the unit if it is damaged or leaking.

Never point the discharge wand at yourself, another person, or any object you do not want covered in chemical.



Using incoming air pressure exceeding 100 psi (7 bar) may result in pressure buildup, explosion, serious injury or death. DO NOT exceed 100 psi (7 bar) incoming air pressure when operating the unit.

Use of hydrocarbons and flammable products may result in explosions, fire and serious injury or death. Never use hydrocarbons or flammable products with the unit.



Mixing an alkaline with an acid may result in a chemical reaction. Overheating of the mixture may cause it to splatter caustic compounds or release hazardous fumes, gas and vapors. Always flush the unit with fresh water for five (5) minutes when switching from an alkaline to an acid or an acid to an alkaline.



Touching damaged electrical cords (i.e.: bare wires, bare receptacles) may result in electrical shock, serious injury or death. Always inspect the electrical cords and extension cords for damage before connecting the unit to the power supply. DO NOT touch a damaged electrical cord, or extension cord, that is connected to the power supply.

Operating the air compressor in wet weather or in wet conditions may result in electrical shock, serious injury or death. Always place the unit (air compressor) in an area away from the misting direction. DO NOT touch the air compressor, electrical or extension cords if your hands or feet are wet.

NOTICE

Servicing, or modification, of this unit with parts not listed in this manual may cause the unit to operate improperly. Do not use unauthorized parts when servicing the unit.

Use of an air lubricator before the unit may result in diminished performance and damage to the unit. Do not use an air lubricator before the unit.

Moisture in the air lines will damage the pump and diminish the pumps life. The air must be filtered, clean, dry and free of moisture. If needed, install an air dryer before the unit.

Using an excessively long or thin-wired extension cord will cause severe damage to the motor. Always use a 3-wire extension cord that has a 3-blade grounding plug and is no more than 25 ft. long and at least 14 gauge.

Operating the air compressor motor with excessive, or insufficient, electrical supply (i.e.: low voltage and/or an overloaded circuit) can cause the air compressor motor's overload protection system circuit breaker to trip. Refer to the serial label for voltage and amperage requirements. Ensure the electrical supply supports the air compressor motor's requirements. For best results use a dedicated circuit.

PROTECT THE ENVIRONMENT



Please dispose of packaging materials, old machine components, and hazardous fluids in an environmentally safe way according to local waste disposal regulations

2 Product Overview

Product requirements

Liquid temperature range	40-100°F (4.4-37°C)
Electrical requirements	120 VAC at 60 Hz, 8.5 amps (GFCI protected outlet)
Operating voltage	120 VAC
Chemical compatibility	Chemical products used with this equipment must be formulated for this type of application and compatible with unit materials and pump seals. For more information on chemical compatibility, consult the manufacturer or SDS for your product or contact our customer service department.

Product specifications

Power type	Electricity
Chemical pickup type	Draws from pre-mixed solution
Number of products unit can draw from	One product
Suction line length/diameter	3/8 in. (9.5 mm) inside diameter
Capacity	15 gallons (56.8 liters)
Discharge line length/diameter	25 ft. (7.6 m) coiled twin-line tubing with 1/4 in. (6.4 mm) outside diameter
Discharge wand/tip type	Handheld double-barrel misting wand with one nozzle or Polypropylene trigger handle with misting nozzle
Output distance	3-4.5 ft. (0.9-1.4 m)
Output volume	8.9 oz/min (263.2 ml/min) at 50 psi (3.4 bar)
Flow rate*	8.9 oz/min (263.2 ml/min) at 50 psi (3.4 bar)
Pump seals	Santoprene, Viton, or Kalrez
Run time from full tank**	Approx. 3.5 hours
Nozzle type	Pneumatic fog nozzle
Number of nozzles	1 nozzle
Droplet size	15 microns at 50 psi (3.4 bar)
Wheel type	Two 10 in. (25.4 cm) non-marking wheels Two 5 in. (12.7 cm) casters with lock

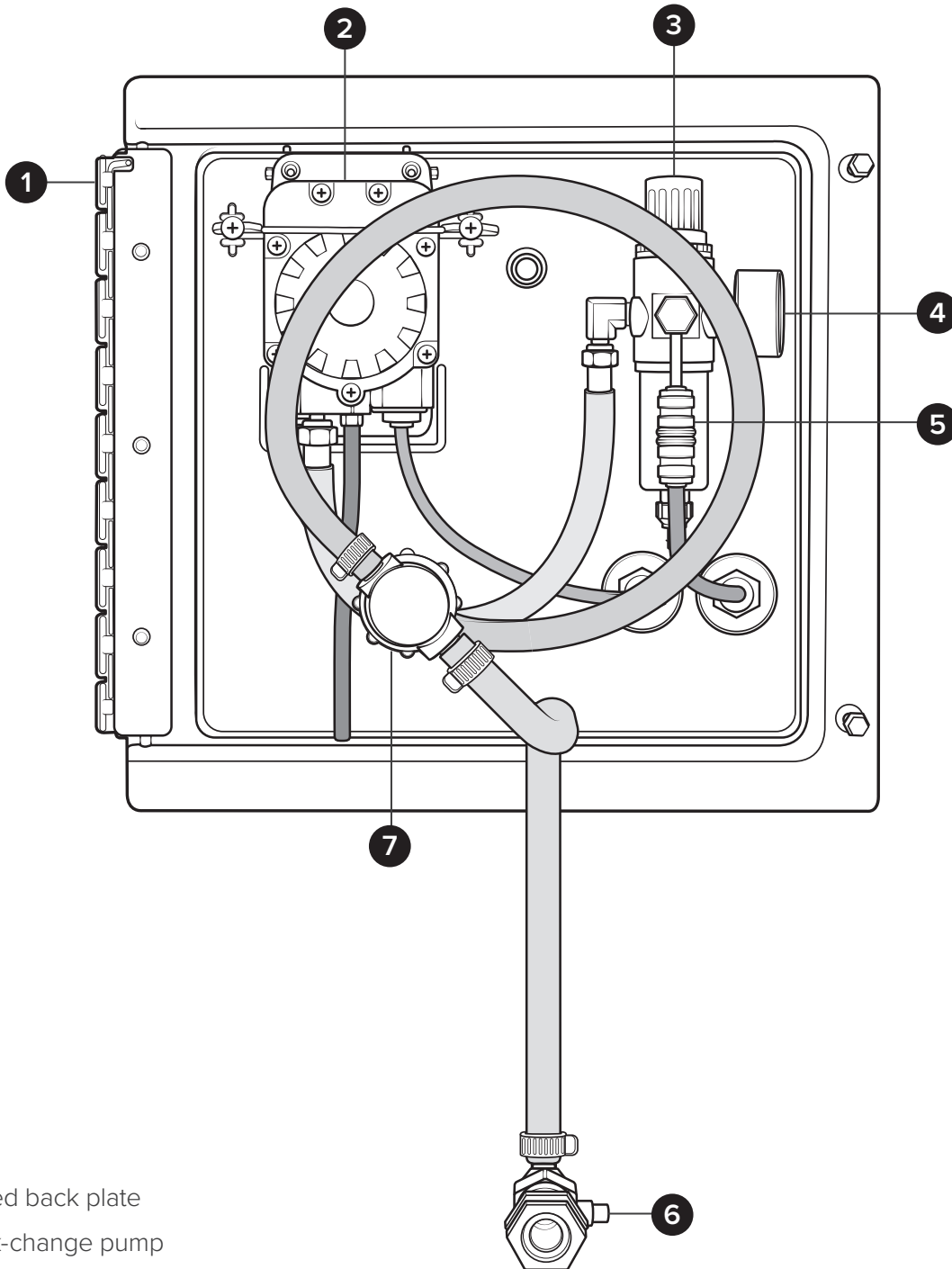
* Dilution rates and flow rates given are based on chemical with viscosity of water and factory air pressure settings.

** Area covered and run time may vary based on humidity, air flow, and product used.

Product components

Before you begin get to know the MU-AC-15N and MU-AC-15N-PSGN130 components that you will need to use, adjust or assemble.

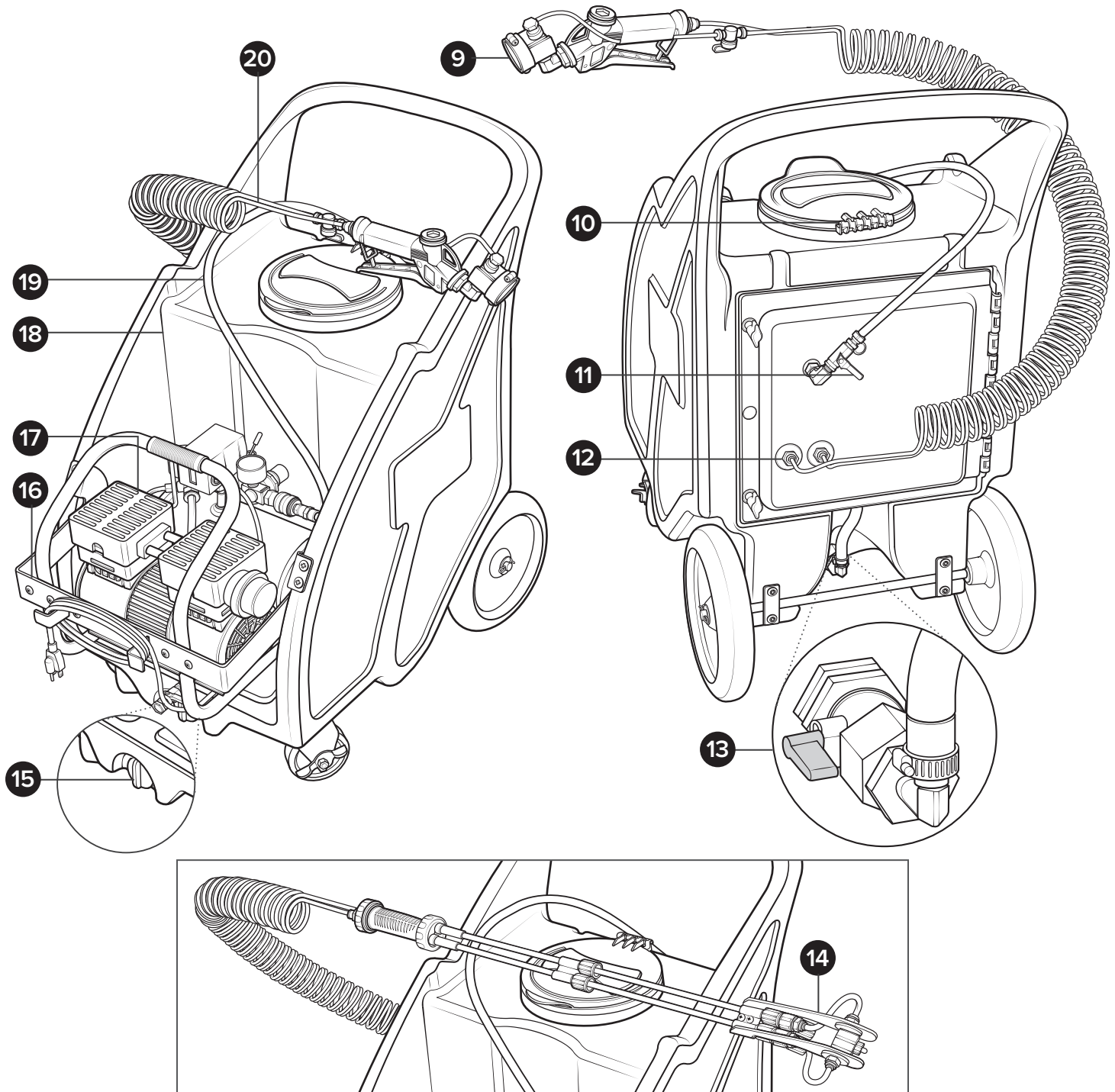
Back plate assembly • Inside view



1. Hinged back plate
2. Quick-change pump
3. Air regulator
4. Air pressure gauge
5. 1/4 tube x 1/4 tube quick-fit check valve
6. Suction line valve
7. In-line strainer

Tank assembly • Front view

Tank assembly • Back view

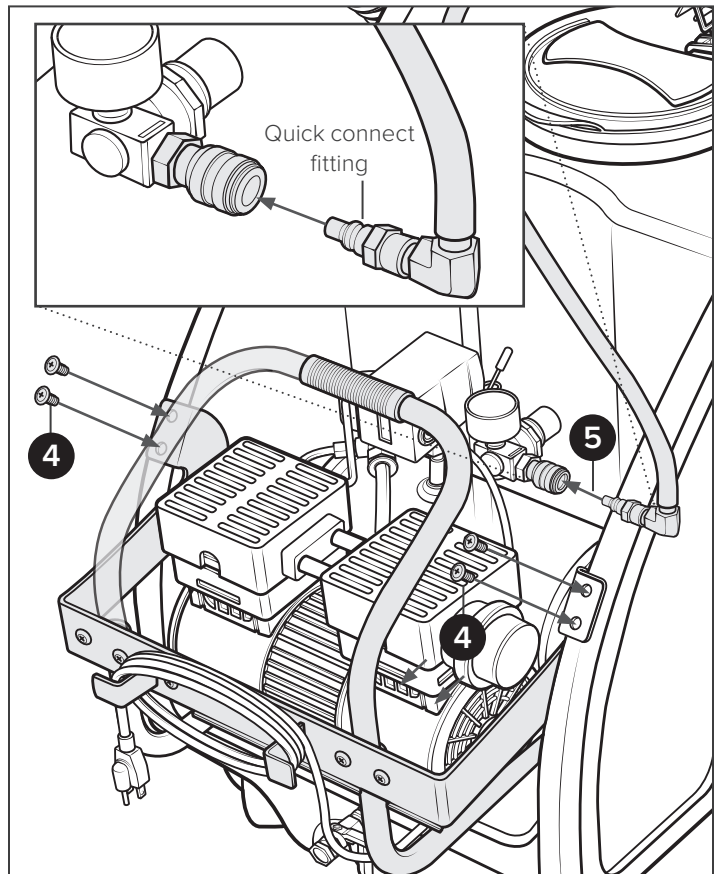
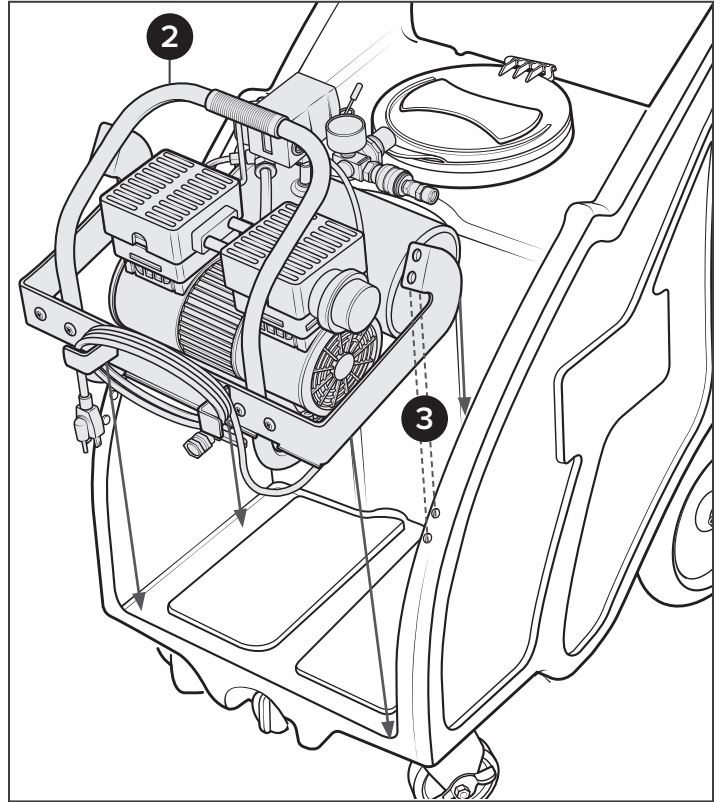


- 9. PSG-N130 wand
- 10. Hinged cap assembly
- 11. Air inlet valve
- 12. Bulkhead 1/4 in. tube
- 13. Suction line valve
- 14. MGA-RAC-N130 wand
- 15. Drain plug

- 16. Air compressor bracket
- 17. 120V air compressor - 1HP
- 18. Tank
- 19. Air supply line
- 20. 25 ft. coiled tubing

3 Assembly

1. Remove all components from packaging.
2. Place the compressor and pre-assembled bracket into the cavity.
3. Align the holes on the compressor bracket with the holes on the front tank sides.
4. Fasten the screws into the bracket.
5. Attach the ¼ in. blue air hose from that back of the unit to the air compressor using the quick connect fittings.



4 Operation

1. Follow all instructions from the chemical manufacturer and fill the tank with a ready-to-use solution or mix to the chemical manufacturer instructions. **Important!** Do not spill the solution on the air compressor.
2. Plug the unit in to a 120 VAC GFCI protected power outlet.
3. Turn the power switch ON to start the air compressor.
4. Set the pressure setting to 85 psi.
5. Verify that the air shut-off valve at the trigger gun is in the closed position and open the air inlet valve on the back plate.

6. **On model MU-AC-15-PSGN130:**

Point the discharge wand in a safe direction and open the air shut-off valve at the trigger gun. Then squeeze the trigger handle to begin misting. **Note:** Both discharge valves should be completely open while misting.

On model MU-AC-15N:

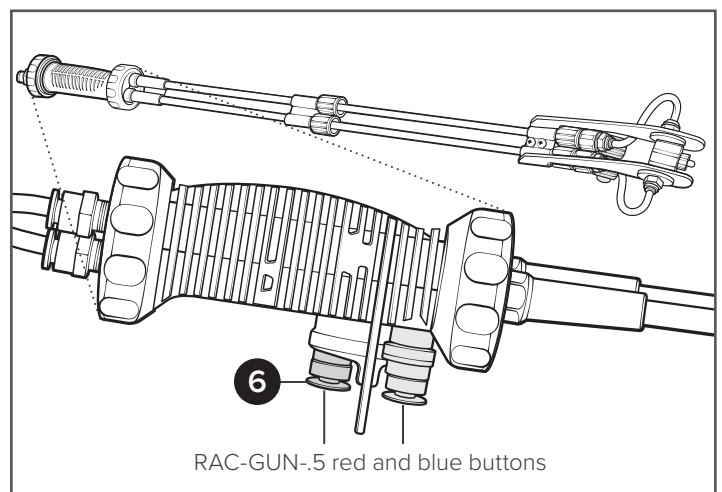
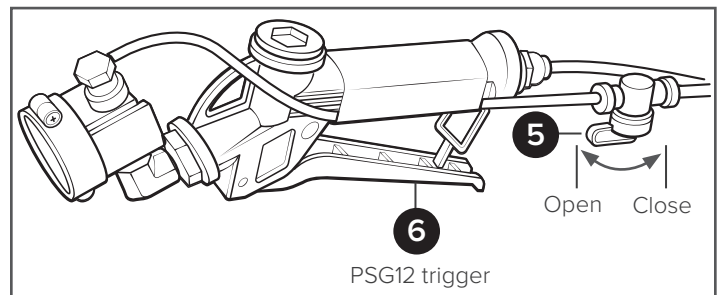
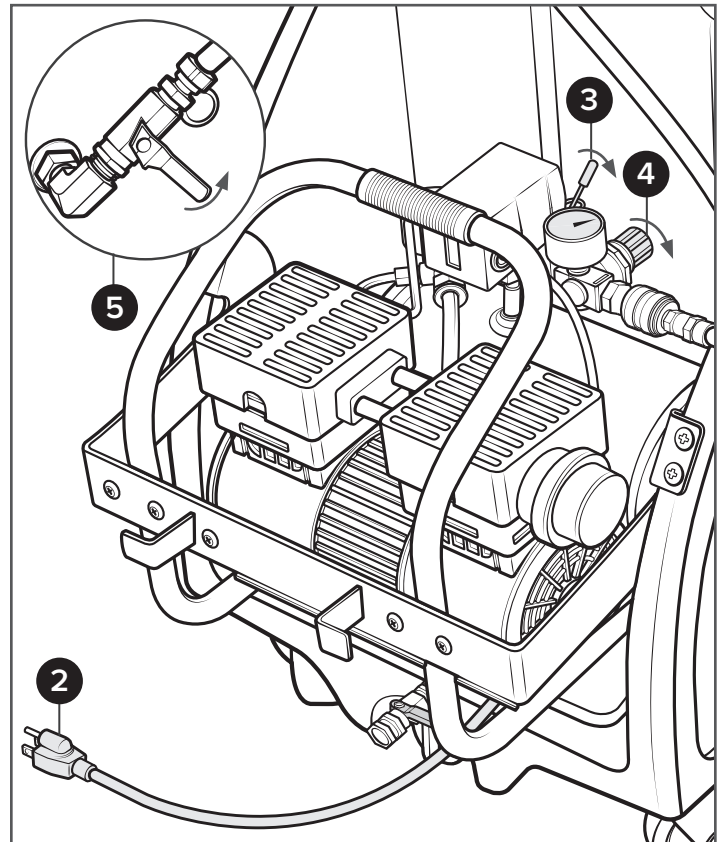
Point the discharge wand in a safe direction and press the red and blue discharge trigger buttons at the same time to begin misting. **Note:** Both discharge buttons should be completely open while misting.

7. **On model MU-AC-15-PSGN130:**

To stop misting, release the trigger handle and the close the air shut-off valve.

On model MU-AC-15N:

To stop misting, release the red and blue discharge trigger buttons.



After Use Instructions

8. Flush the unit with fresh water for 5 minutes.
9. Shut off the air supply to the unit by closing the air inlet valve on the back plate.
10. Turn the power switch OFF to shut off the air compressor.
11. Unplug the air compressor.

12. On model MU-AC-15-PSGN130:

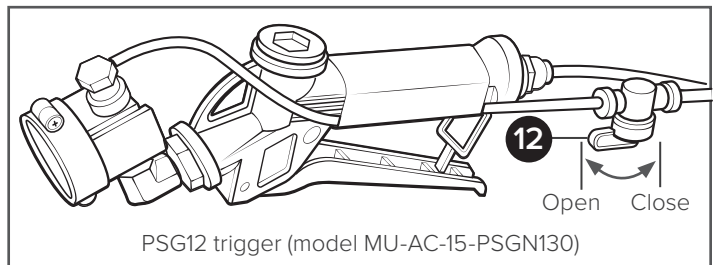
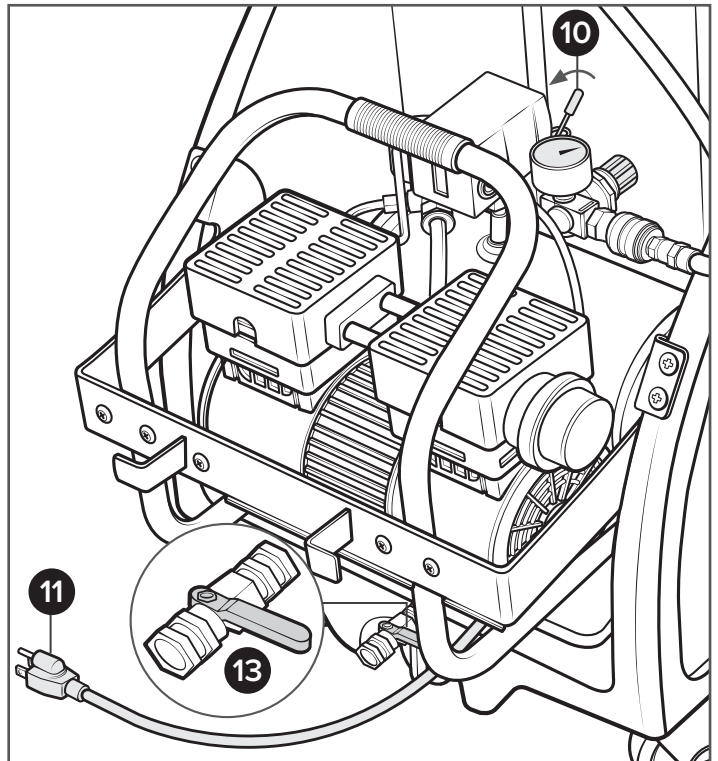
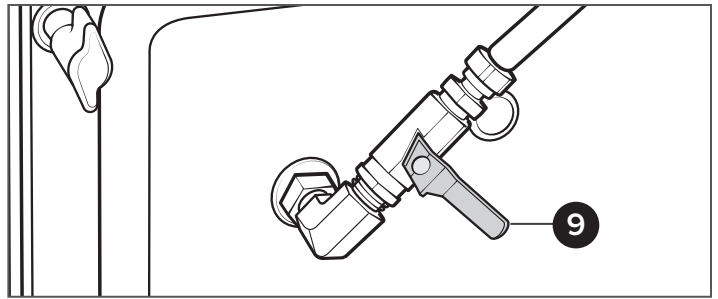
Open the air shut-off valve at the trigger gun and squeeze the trigger handle to relieve any pressure remaining in the unit.

Once pressure is relieved, release the trigger handle and close the air shut-off valve at the trigger gun.

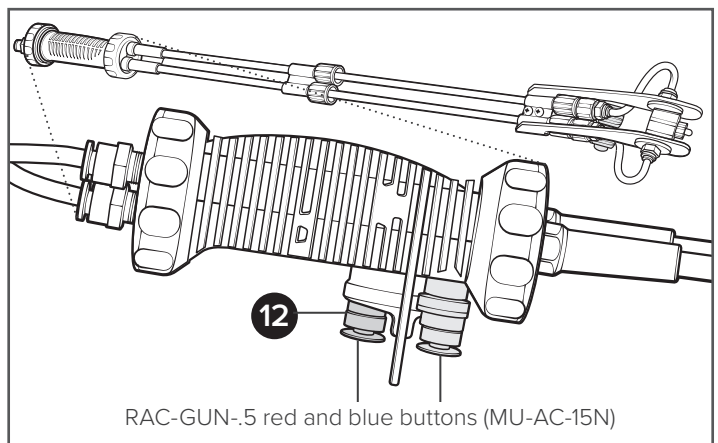
On model MU-AC-15N:

Press the red and blue trigger buttons to relieve any pressure remaining in the unit. Once pressure is relieved, release both trigger buttons.

13. Depressurize and drain the air compressor tank by opening the ball valve on the compressor tank.



PSG12 trigger (model MU-AC-15-PSGN130)



RAC-GUN-.5 red and blue buttons (MU-AC-15N)

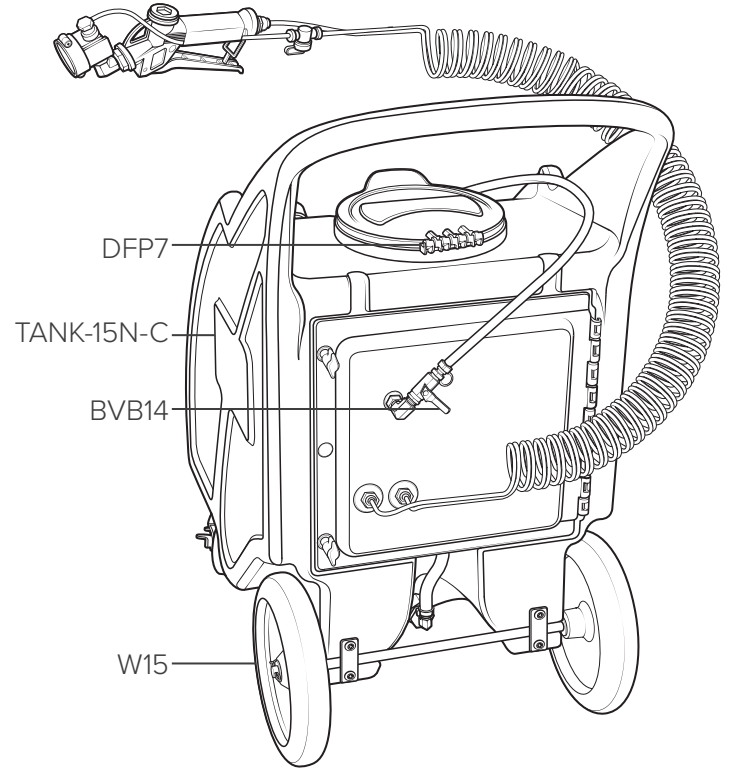
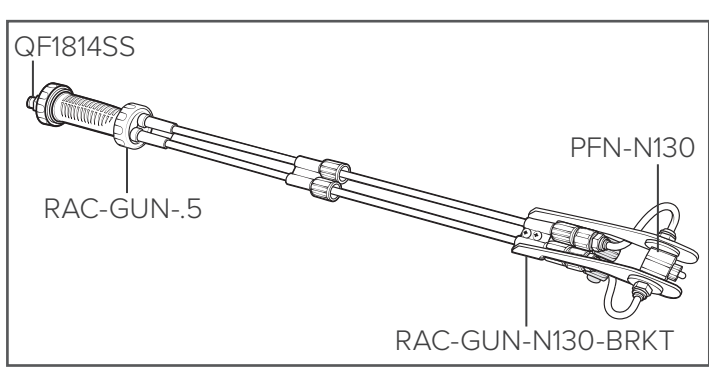
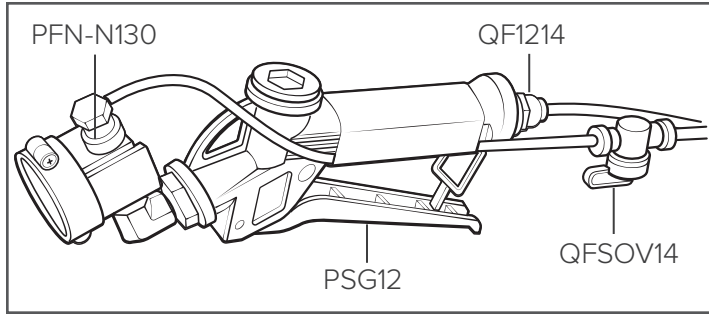
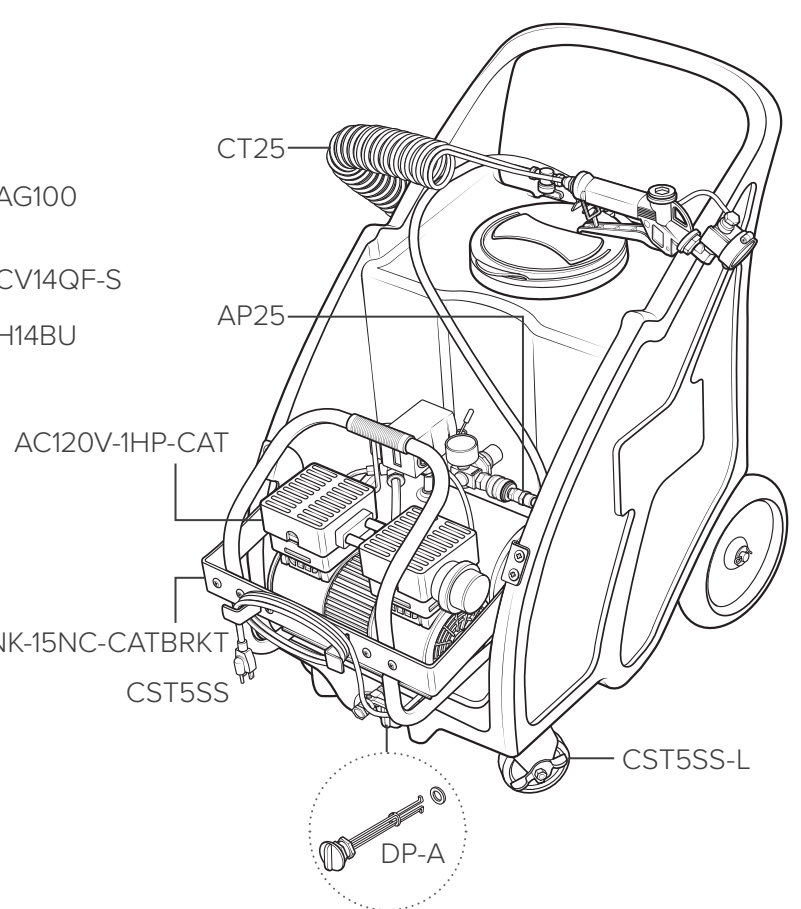
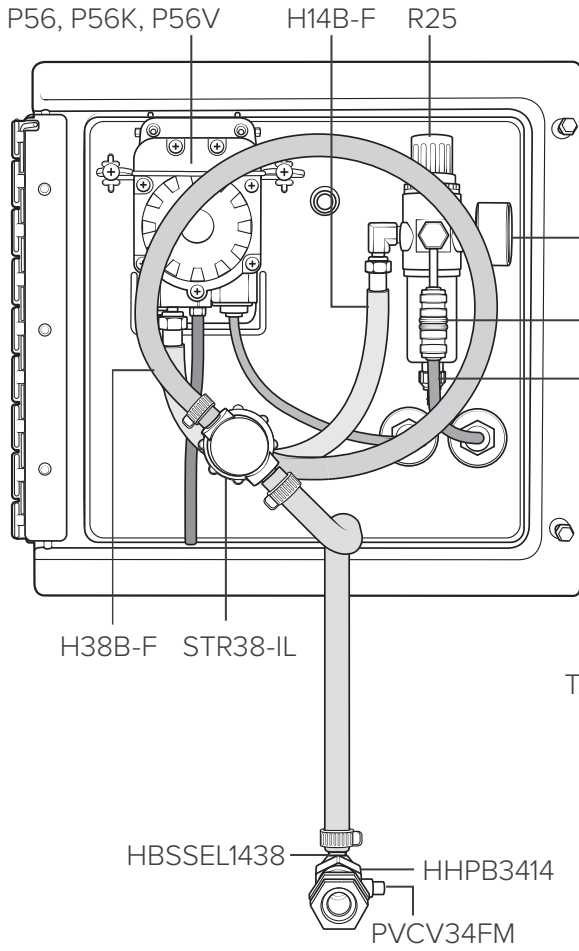
5 Troubleshooting

Issue	Solution
Air passes through the pump without cycling	<ul style="list-style-type: none">• If air passes through the pump (P56) without cycling, the pump needs to be replaced.
The solution backs up into the air regulator	<ul style="list-style-type: none">• If solution backs up into the air regulator, the check valve (CV14QF-S) needs to be replaced.
The unit operates at a reduced pressure	<ul style="list-style-type: none">• Check the discharge tubing to ensure that there are no kinks that could obstruct fluid flow.• Check for proper air pressure on the air gauge and adjust the air regulator if needed. The air regulator is factory set at 50 psi. Operating pressure is 50 psi.• Check the air compressor (AC120V-1HP-CAT) to confirm sufficient air pressure is being supplied.• If the air supply is 50 psi (3.4 bar) or above, check the air gauge, which should read near 50 psi (3.4 bar). If the air gauge reads more or less than 50 psi (3.4 bar), adjust the pressure by turning the knob on the top of the air regulator. Check the chemical suction line and strainer for debris or damage. Clean or replace as needed. To prevent damage to the unit, the strainer (STR38-IL) must always be used.

Air Compressor

Issue	Possible cause	Solution
The compressor stopped and does not start.	Overloaded because of motor overheating.	<ul style="list-style-type: none"> • Check that the main voltage corresponds to specifications. An extension cord that is too thin or too long can cause a voltage drop and cause the motor to overheat. Allow the motor to cool down. use heavy duty extension cords. ensure that the compressor is plugged into a socket as close as possible to the consumer unit or fuse box.
	Motor windings are burned out.	<ul style="list-style-type: none"> • Contact Customer Support.
The motor does not start and makes a humming noise.	Low voltage supply to the motor.	<ul style="list-style-type: none"> • Check that the main voltage corresponds to specifications. An extension cord that is too thin or too long can cause a voltage drop and cause the motor to overheat. Allow the motor to cool down. use heavy duty extension cords. ensure that the compressor is plugged into a socket as close as possible to the consumer unit or fuse box.
The compressor is noisy with metallic clangs.	Compressor head gasket broken or valve plate faulty.	<ul style="list-style-type: none"> • Stop the compressor and contact the dealer.
	Compressor worn or broken piston ring	<ul style="list-style-type: none"> • Stop the compressor and contact the dealer.
	Compressor worn or broken cylinder ring	<ul style="list-style-type: none"> • Stop the compressor and contact the dealer.

6 Parts



Item number	Description
AC120V-1HP-CAT	120v air compressor - 1hp
AG100	1.5 in. dry model 20 dual scale gauge
AP25	Air fitting 1/4 mpt x plug-nickel-plated brass
BVB14	Air inlet valve-1/4in mpt x 1/4in mpt
CST5SS	5 in. S.S. Swivel caster with 4 in. wheel
CST5SS-L	5 in. S.S. Swivel caster with 4 in. wheel and lock
CT25	25 ft. coiled 1/4 in. poly urethane red/blue tubing
CV14QF-S	1/4 Tube x 1/4 tube chk quick fit-small
DFP7	7 Inch hinged cap assembly - includes black cap, lid flange and hinge pin
DP-A	Drain plug assembly for natural portable units - includes plug and gasket
H14B-F	1/4 in. blue hose-hybrid tpe-available per ft.
H14BU	1/4 in. od blue polyurethane tubing - available per ft.
H14RU	1/4 in. od red polyurethane tubing - available per ft.
H38B-F	3/8 in. blue hose-hybrid tpe-available per ft.
HBSEL1438	Stainless hose barb 1/4 mpt x 3/8 barb elbow
HHPB3414	Hex head poly bushing 3/4 mpt x 1/4 fpt
MGA-RAC-N130	Misting gun assembly-rac gun- PFN-N130
P56	Pump with santoprene seals - includes hose barbs, air fitting, and exhaust barb
P56K	Pump with kalrez seals - includes hose barbs, air fitting, and exhaust barb
P56V	Pump with viton seals - includes hose barbs, air fitting, and exhaust barb
PFN-N130	Pneumatic fog nozzle - polypropylene and kynar tip - 3.7 Gal/hr per nozzle
PSG-N130	PSG gun with PFN-N130
PVCV34FM	PVC Valve 3/4 in. fpt X 3/4 in. mpt
QF14P	Quick fit-1/4 mpt x 1/4 od tube-polypropylene
QF1814SS	Quick fit-1/8 mpt x 1/4 od tube-stainless
QFBH14	Bulkhead 1/4in tube polypropylene
R25	Air regulator - 1/4fpt two port 1/8 fpt two port - includes filter and bowl
RAC-GUN-.5	Polypro body, twin trigger, ss lance, .5 Meter
RAC-GUN-N130-BRKT	SS bracket for PFN-N130 on rac-gun
STR38-IL	In line strainer-3/8 barb-epdm gasket-20 mesh SS
TANK-15N-C	15 Gallon concentrate tank natural in color
TANK-15NC-CATBRKT	SS bracket for cat air compressor on tank-15nc
W15	Non-marking wheel for portable units